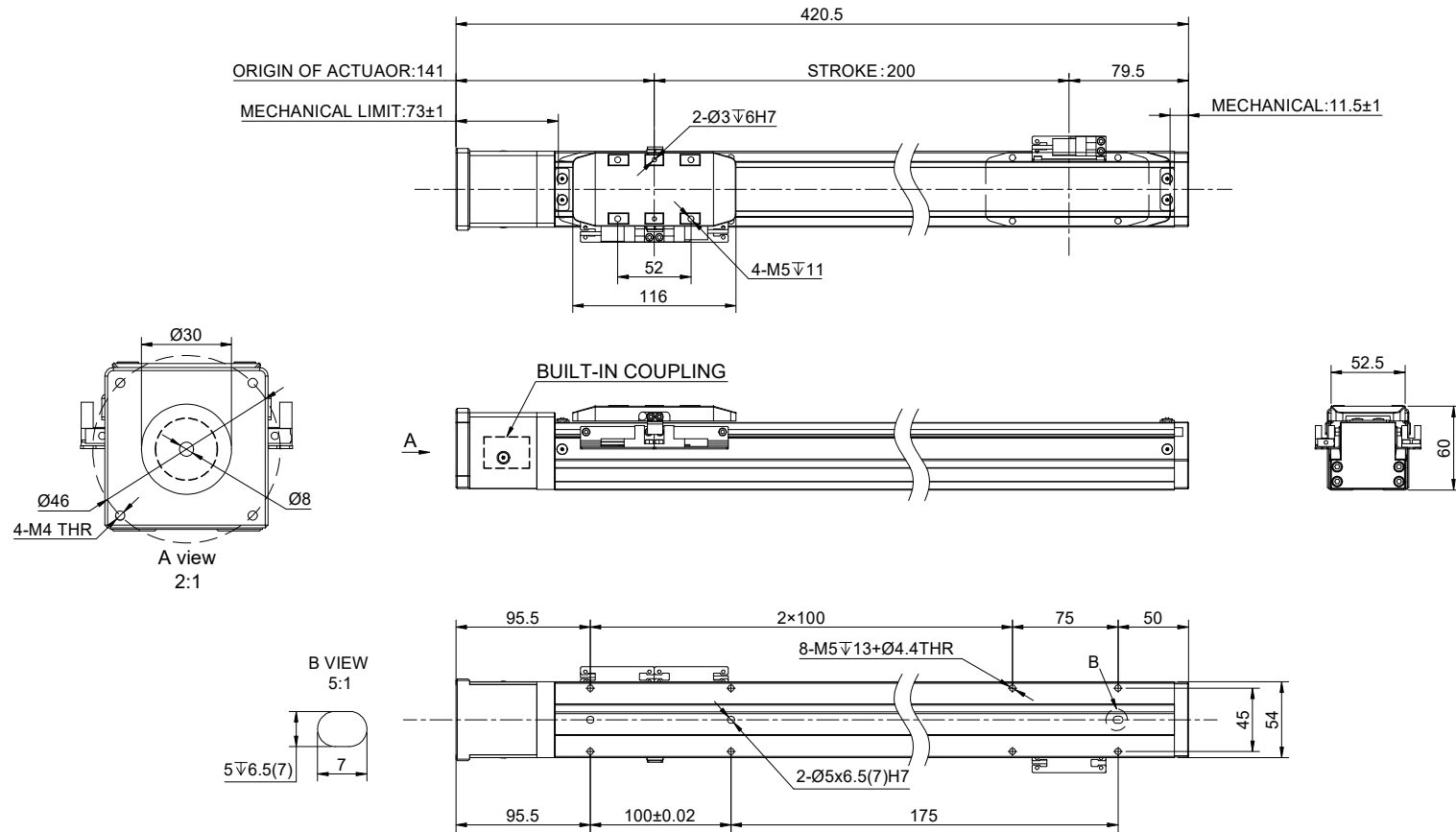


REV.	REVISION RECORD	BY	DATE
0	ORIGIN	LDJ	4.20.2026

CUSTOMER'S MODEL: NO MODEL
 END COVER COLOR: GREY



POSITION ACCURACY (mm)	±0.01	
BALL SCREW LEAD (mm)	10.00	
MAXIMUM SPEED (mm/s)	500.00	
MAXIMUM PAYLOAD(kg)	HORIZONTAL	15.00
	VERTICAL	5.00
RATED THRUST (N)	170.00	
BALL SCREW DIAMETER (mm)	C7/Ø12	
ORIGIN SENSOR	NPN	
INPUT SHAFT LENGTH (mm)	25.00	
INPUT SHAFT DIAMETER (mm)	8.00	
WEIGHT(Kg)[lb]	2.11[4.65]	

THIS DOCUMENT SHALL NOT BE REPRODUCED
 NOR SHALL THE INFORMATION CONTAINED
 HEREIN BE USED BY OR DISCLOSED TO OTHERS
 UNLESS EXPRESSLY AUTHORIZED IN BY WRITING
 STEPPERONLINE.

DIMENSIONS ARE IN MILLIMETERS.
 TOLERANCES AS BELOW:
 DECIMALS ANGLES
 X ±0.5 ±2°
 X.X ±0.25
 X.XX ±0.13

THIRD ANGLE PROJECTION		
SIGNATURE		DATE
DRN	LDJ	4.20.2026
APVD	ZPJ	4.20.2026

STEPPERONLINE®

SERVO MOTOR LINEAR ACTUATOR

LG5-40DL10S3-200

REV.	0	SCALE	1:5	DWG NO.	A6769
------	---	-------	-----	---------	-------